



Republic of the Philippines  
Department of National Defense  
**PHILIPPINE VETERANS AFFAIRS OFFICE**  
Veterans Compound  
Camp General Emilio Aguinaldo, Quezon City

## REQUEST FOR QUOTATION

The Philippine Veterans Affairs Office (PVAO), through its Bids and Awards Committee will undertake a Small Value Procurement for the **“Supply, Delivery and Installation of Pre-Fabricated Glass Enclosure for Kiosk Machine”** in accordance with Section 53.9 of the 2016 Revised IRR of RA 9184. The details of the project are as follows:

Project Title : Supply, Delivery and Installation of Pre-Fabricated Glass Enclosure for Kiosk Machine

ABC : Eighty Thousand Pesos (P 80,000.00)

Specifications : See the attached Price Quotation Form (*Annex “A”*)

Delivery Period : Within fifteen (15) calendar days upon receipt of the Notice to Proceed

Location : PVAO Compound, Camp Gen. E. Aguinaldo, Quezon City

Submission of sealed **Price Quotation** (*using the prescribed form, Annex “A”*) and **Documentary Requirements** is on or before **5:00 PM of 01 February 2022** at the PVAO-Bids and Awards Committee Secretariat, 2<sup>nd</sup> Floor Building No. 4 (Procurement Office), Philippine Veterans Affairs Office, Veterans Compound, Camp General Emilio Aguinaldo, Quezon City. Documentary Requirements shall include the following:

- a) Current Mayor’s/Business Permit or in cases of recently expired Mayor’s/Business permits, it shall be accepted together with the official receipt as proof that the bidder has applied for renewal within the period prescribed by the concerned local government unit;
- b) PhilGEPS Registration Number; and
- c) A duly accomplished Omnibus Sworn Statement in the form prescribed by the 2016 RIRR of RA 9184 with Secretary’s Certificate or Special Power of Attorney as applicable.

Open submission may be done, manually and electronically thru [procurement.service@pvao.gov.ph](mailto:procurement.service@pvao.gov.ph) and/or thru facsimile no. 8912-4649.

The PVAO reserves the right to accept or reject any offer/quotation, to reject all offer/quotation at any time prior to contract award, to exclude any item or reduce the number of units and corresponding ABC as determined by PVAO and to award the contract to the bidder with the most advantageous offer, without thereby incurring any liability to the interested entities.

For inquiry, you may contact us at Tel. No. 8912-4649.

BY THE AUTHORITY OF THE  
PVAO BIDS AND AWARDS COMMITTEE:

  
ENGR. DIOMEDES C. PALOR  
Head, BAC Secretariat

**PRICE QUOTATION FORM**

Date: \_\_\_\_\_

The Bids and Awards Committee  
 Philippine Veterans Affairs Office  
 PVAO Compound, Camp General Emilio Aguinaldo,  
 Quezon City

After having carefully read and accepted the terms and conditions in the Request for Quotation, hereunder is our quotation for the **Supply, Delivery and Installation of Pre-Fabricated Glass Enclosure for Kiosk Machine:**

Item No.	Item Description/Specifications	Qty.	Unit	Amount
1	Pre-Fabricated Glass Enclosure (12mm Tempered Glass on 50mm Analok Frame)	1	unit	
<b>Total Amount</b>				

**Note:** See attached drawings.

(Amount in Words) \_\_\_\_\_

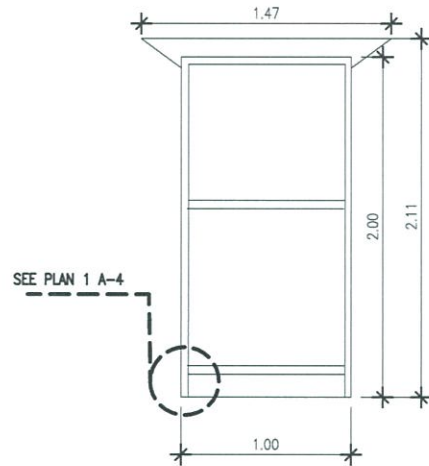
The above-quoted price is inclusive of all costs and applicable taxes.

\_\_\_\_\_  
 SIGNATURE OVER PRINTED NAME  
 (Duly Authorized to sign the Bid)

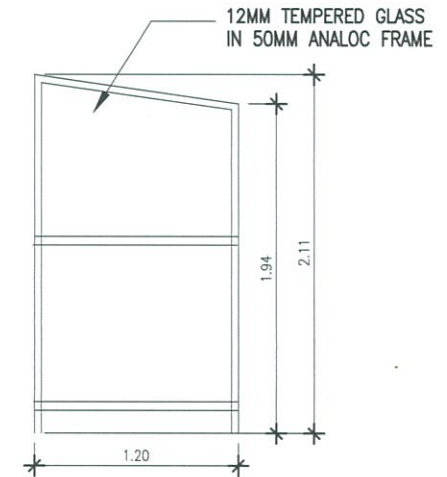
\_\_\_\_\_  
 BUSINESS ADDRESS

\_\_\_\_\_  
 NAME OF COMPANY

\_\_\_\_\_  
 TELEPHONE/FAX NO/EMAIL ADDRESS

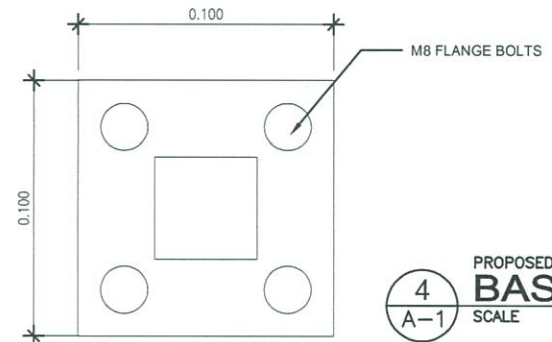


2  
A-1  
PROPOSED ENCLOSURE FOR THE KIOSK MACHINE  
**FRONT VIEW**  
SCALE 1:30 MTS



3  
A-1  
PROPOSED ENCLOSURE FOR THE KIOSK MACHINE  
**RIGHT SIDE VIEW**  
SCALE 1:30 MTS

1  
A-1  
PROPOSED ENCLOSURE FOR THE KIOSK MACHINE  
**CONCEPT GRABBED FROM THE INTERNET**  
SCALE NTS



4  
A-1  
PROPOSED ENCLOSURE FOR THE KIOSK MACHINE  
**BASE FLANGE**  
SCALE NTS



DEPARTMENT OF NATIONAL DEFENSE  
PHILIPPINE VETERANS AFFAIRS OFFICE  
CAMP GEN. EMILIO AGUIBALDO, QUEZON CITY

PROJECT TITLE/LOCATION  
CONSTRUCTION OF ENCLOSURE FOR THE KIOSK MACHINE  
PVAO COMPOUND, CAMP GENERAL EMILIO AGUIBALDO, QUEZON CITY

PREPARED BY  
ENGR CHRISTIAN JOSEPH S. MANALO  
BFMS, GSSMD

CONCURRED BY  
MS. KATHERINE T. ARROJO  
Chief, MID

SUBMITTED BY  
ENGR. VALERICO C. LIM III, MNSA  
Acting Chief, GSSMD

APPROVED BY  
LTGEN. ERNESTO C. CAROLINA, AFP (Ret)  
Administrator, PVAO

SHEET NO  
A-1